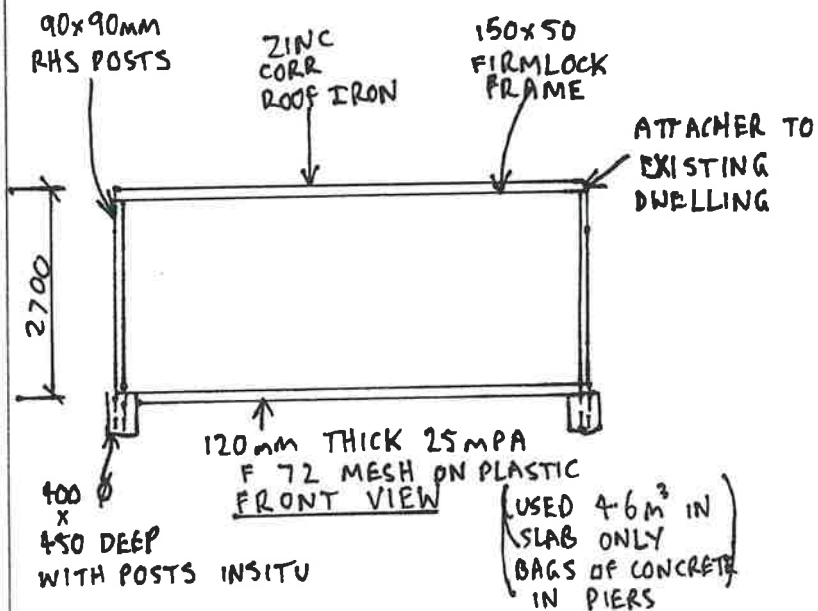


EXISTING DWELLIN

DRILLED DOWEL THROUGH POST BOTH INTO PIER & SLAB

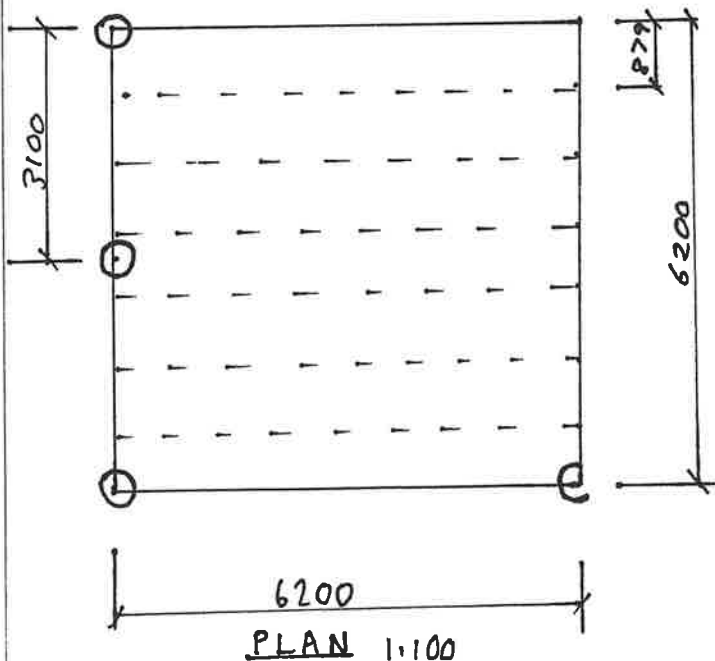
SIDE VIEW



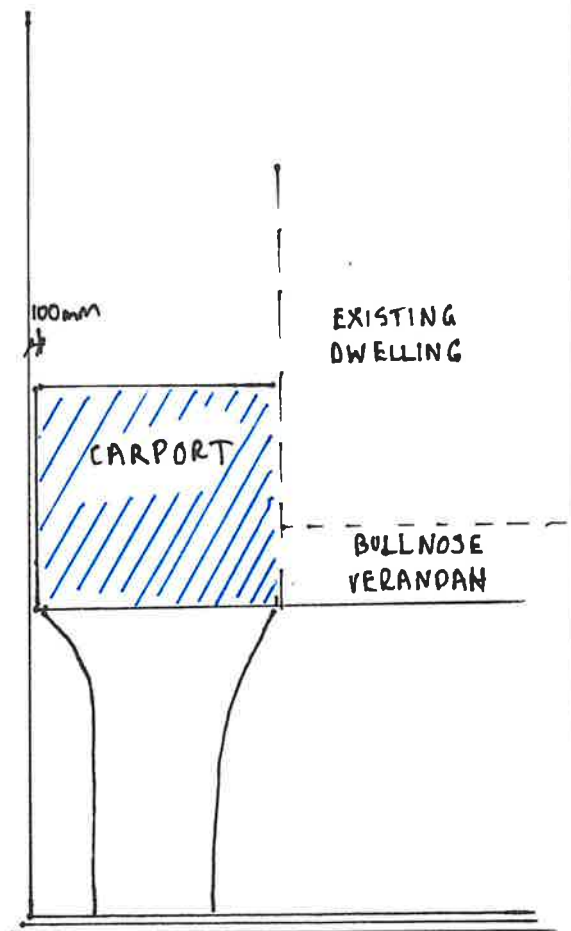
ATTACHER TO EXISTING DWELLING

120mm THICK 25MPA F 72 MESH ON PLASTIC

USED 4.6m³ IN SLAB ONLY BAGS OF CONCRETE IN PIERS



PLAN 1:100



EXISTING DWELLING

100mm

CARPORT

BULLNOSE VERANDAH

FAYE ST

SITE PLAN

1:200

OWNER B SMITH
 ADDRESS — FAYE ST CONDOBOLIN
 PLAN FOR ATTACHED CARPORT